

Shortpass

Longpass

Bandpass

Neutral Density

Mercury Line Emission

Super Cold

Others

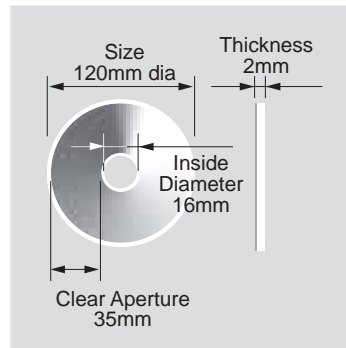
## Circular Variable ND Filter

Circular variable ND filter achieves OD linear attenuation of light intensity. The optical density (OD) continuously varies from 0.04 to max.5.0 with our proprietary monitoring technology. It is ideal for precise adjustment of light intensity, especially laser.

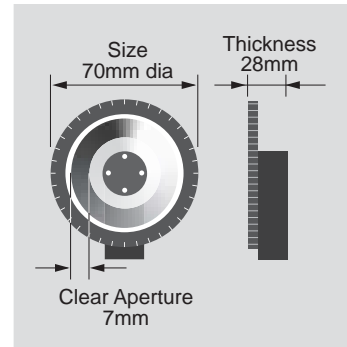
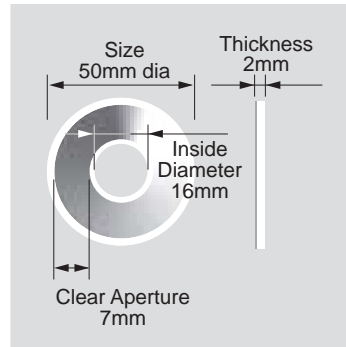
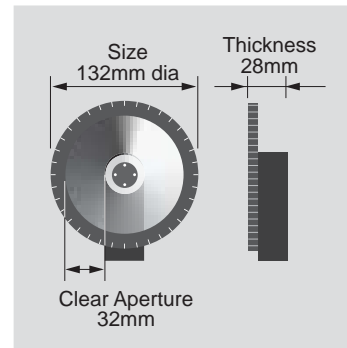
- Applications
  - \*Laser
  - \*Spectrometer
  - \*Any optical experiments in the laboratory



【Unmounted】

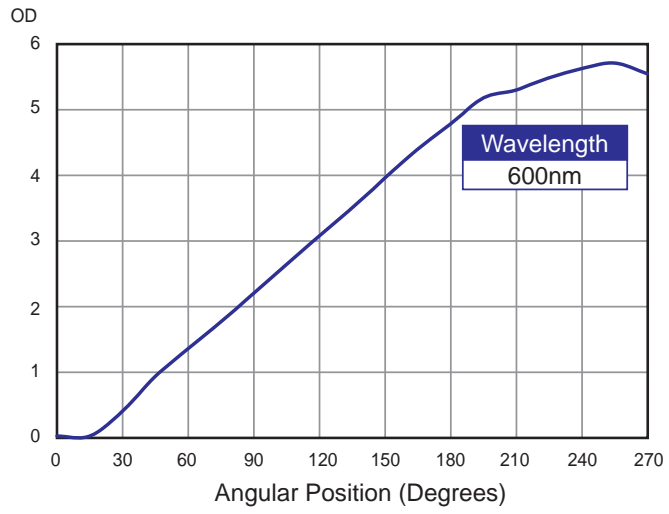


【Mounted】



Item Number	Optical Density	Wavelength (nm)	Dimension (mm)	Substrate	Thickness (mm)	Type
CND105	0.04 - 5.0	400 - 700	120 diameter	Fused Silica	2	Unmounted
CND105U			132 diameter		28	Mounted
CND1055	0.04 - 5.0	400 - 700	50 diameter	Fused Silica	2	Unmounted
CND1055U			70 diameter		28	Mounted
CND103	0.04 - 3.0	400 - 700	120 diameter	Fused Silica	2	Unmounted
CND103U			132 diameter		28	Mounted
CND1035			50 diameter		2	Unmounted
CND1035U			70 diameter		28	Mounted
CND101	0.04 - 1.0	400 - 700	120 diameter	Fused Silica	2	Unmounted
CND101U			132 diameter		28	Mounted
CND1015			50 diameter		2	Unmounted
CND1015U			70 diameter		28	Mounted

- CND105
- CND105U
- CND1055
- CND1055U



Shortpass

Longpass

Bandpass

Neutral Density

Mercury Line Emission

Super Cold

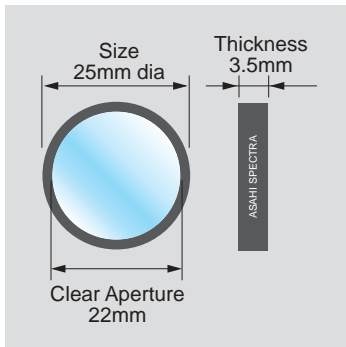
Others

- Shortpass
- Longpass
- Bandpass
- Neutral Density
- Mercury Line Emission
- Super Cold
- Others

## Notch Filter

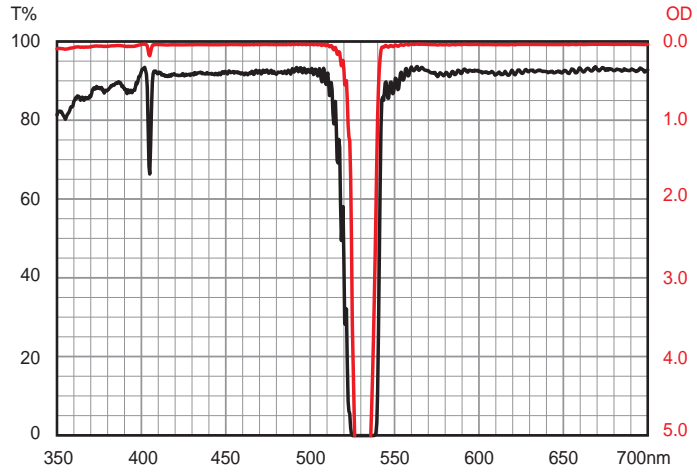
Notch Filter perfectly blocks the specific wavelength of laser-line with an optical density >OD6 and keep high transmission(ave)>90% outside the laser wavelength. Asahi Notch Filters will allow professional scientists to measure Stokes and Anti-Stokes simultaneously.

- Applications
  - \*Raman analysis
  - \*Fluorescence research
  - \*Any laser used application



Item Number	Laser Wavelength(nm)	Notch Bandwidth (mm)	Blocking	Dimension (mm)	Thickness (mm)
XNTA488	488	17	> OD 6	25 diameter	3.5
XNTA514	514	18	> OD 6	25 diameter	3.5
XNTA532	532	18	> OD 6	25 diameter	3.5
XNTA633	633	21	> OD 6	25 diameter	3.5
XNTA785	785	26	> OD 6	25 diameter	3.5

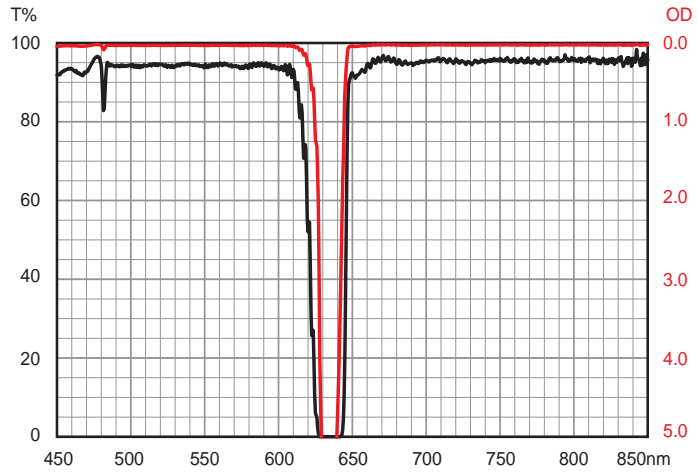
XNTA532



Shortpass

Longpass

XNTA633



Bandpass

Neutral Density

Mercury Line Emission

Super Cold

Others

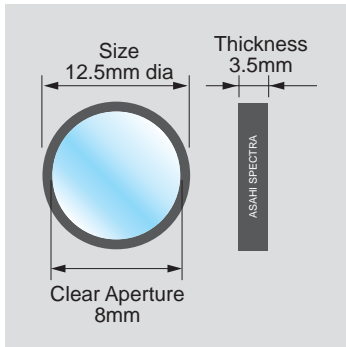
- Shortpass
- Longpass
- Bandpass
- Neutral Density
- Mercury Line Emission
- Super Cold
- Others

## Laser Line Filter

We have achieved a bandwidth < 2.6nm (Laser Wavelength : 532nm) narrow bandpass filter. By using our Laser Line Filter, you can clean up the noises outside of laser wavelength. LLF series make a big difference in the following applications because the contrast between signal and noise is extremely important in these studies.

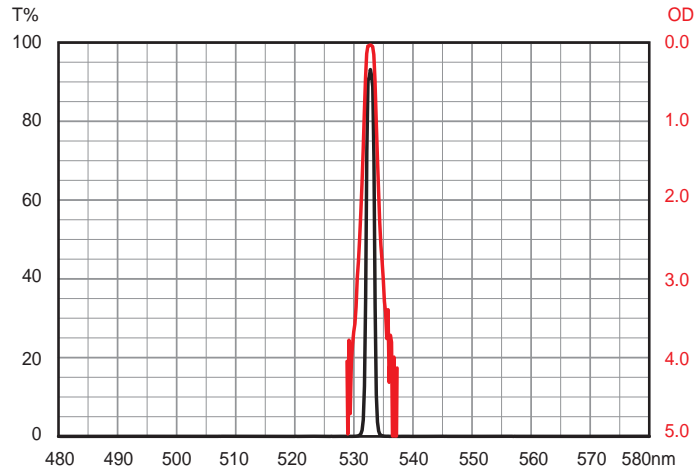
- Applications
  - \*Raman analysis / \*Fluorescence research /
  - \*Any laser used application

High transmittance at laser wavelength and perfect noise blocking at the next nanometer, you will get a great benefit from our laser line bandpass filters.



Item Number	CWL (nm)	Max.FWHM (nm)	Min. Transmittance(%)	Dimension (mm)	Thickness (mm)
WLLF488	488	2.4	90	12.5 diameter	3.5
WLLF514	514	2.5	90	12.5 diameter	3.5
WLLF532	532	2.6	90	12.5 diameter	3.5
WLLF633	633	3.1	90	12.5 diameter	3.5
WLLF785	785	3.9	90	12.5 diameter	3.5
WLLF1064	1064	5.3	90	12.5 diameter	3.5

WLLF532



Shortpass

Longpass

Bandpass

Neutral Density

Mercury Line Emission

Super Cold

Others